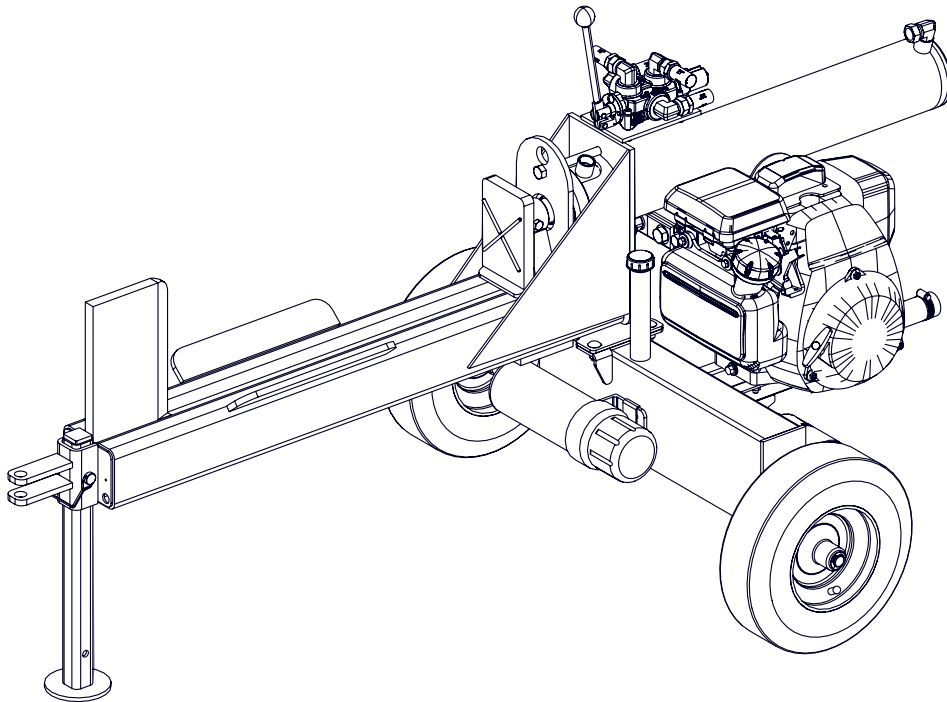




EMB Manufacturing Inc.
4144 Boomer Line · St. Clements, On · N0B 2M0 · Canada
Ph: (519) 699-9283 · Fax: (519) 699-4146
www.surgemaster.ca

98D Trailer Log Splitter Parts Manual



Refer to the operators
manual for safe
operation and
maintenance

Foreword

EMB Mfg. has prepared this parts manual to assist customers in ordering quality OEM replacement parts.

Proper and regular service and replacing old, worn or broken parts with the correct OEM parts are essential to prolonging the life of your EMB product. Please refer to this manual before ordering any replacement parts.

All information contained in this parts manual is based on the latest product specification available at the time of printing this manual. If your product differs from the specifications contained within this manual contact EMB Mfg. for information.

EMB reserves the right to alter specifications on their products at any time.

Reproduction of this parts manual of any kind is prohibited without prior written permission from EMB Mfg.

For parts and information please contact your dealer. If your dealer is no longer available please go to our website: <http://www.surgemaster.ca> and click on "PARTS INFORMATION".

Table of Contents

Bolt Torque	4
Hydraulic Fitting Torque	5
Cylinder	6
Main Parts	7
Valve	8
Valve & Fittings	9
Engine & Pump	10

Bolt Torque

CHECKING BOLT TORQUE

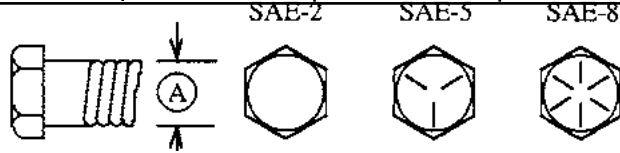
The tables shown below give correct torque values for various bolts and capscrews. Tighten all bolts to the torques specified in chart unless otherwise noted. Check tightness of bolts periodically, using bolt torque chart as a guide. Replace hardware with the same strength bolt.

Torque figures indicated above are valid for non-greased or non-oiled threads and heads unless otherwise specified. Therefore, do not grease or oil bolts or capscrews unless otherwise specified in this manual. When using locking elements, increase torque values by 5%.

* Torque value for bolts and capscrews are identified by their head markings.

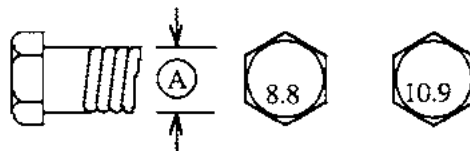
ENGLISH TORQUE SPECIFICATIONS

Bolt Diameter "A"	Bolt Torque*					
	SAE 2 (N.m) (lb-ft)		SAE 5 (N.m) (lb-ft)		SAE 8 (N.m) (lb-ft)	
1/4"	8	6	12	9	17	12
5/16"	13	10	25	19	36	27
3/8"	27	20	45	33	63	45
7/16"	41	30	72	53	100	75
1/2"	61	45	110	80	155	115
9/16"	95	60	155	115	220	165
5/8"	128	95	215	160	305	220
3/4"	225	165	390	290	540	400
7/8"	230	170	570	420	880	650
1"	345	225	850	630	1320	970



METRIC TORQUE SPECIFICATIONS

Bolt Diameter "A"	Bolt Torque*			
	8.8 (N.m) (lb-ft)		10.9 (N.m) (lb-ft)	
M3	.5	.4	1.8	1.3
M4	3	2.2	4.5	3.3
M5	6	4	9	7
M6	10	7	15	11
M8	25	18	35	26
M10	50	37	70	52
M12	90	66	125	92
M14	140	103	200	148
M16	225	166	310	229
M20	435	321	610	450
M24	750	553	1050	774
M30	1495	1103	2100	1550
M36	2600	1917	3675	2710



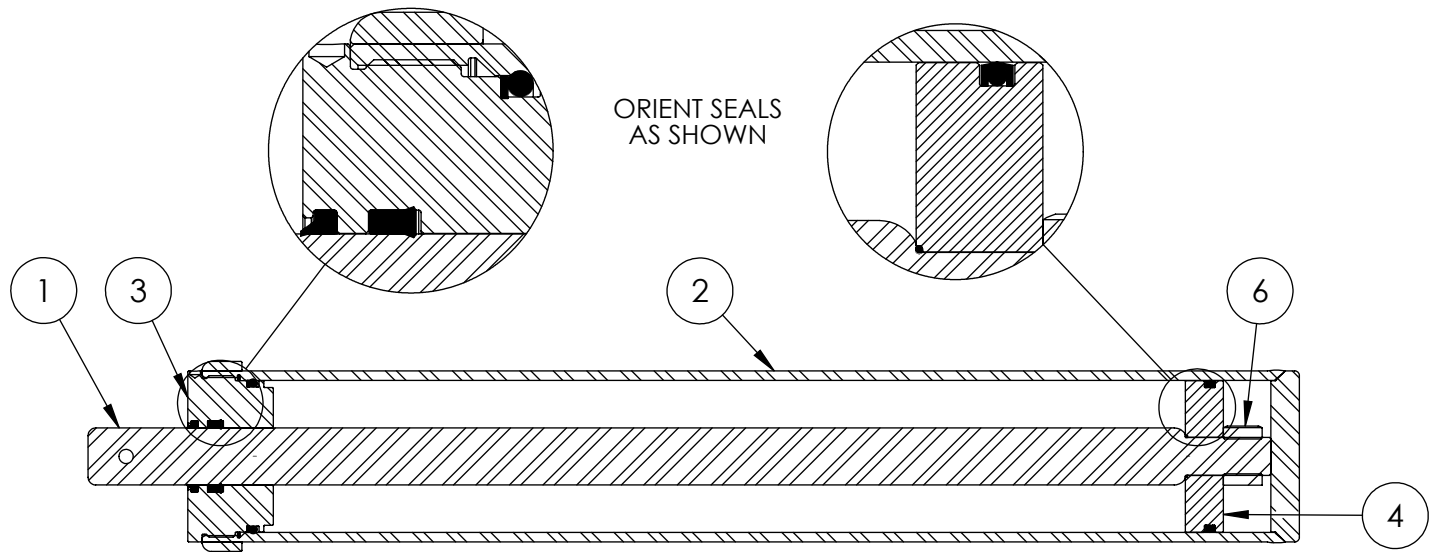
Hydraulic Fitting Torque

Tightening Flare Type Tube Fittings *

1. Check flare and flare seat for defects that might cause leakage.
2. Align tube with fitting before tightening.
3. Lubricate connection and hand tighten swivel nut until snug.
4. To prevent twisting the tube(s), use two wrenches. Place one wrench on the connector body and with the second tighten the swivel nut to the torque shown.

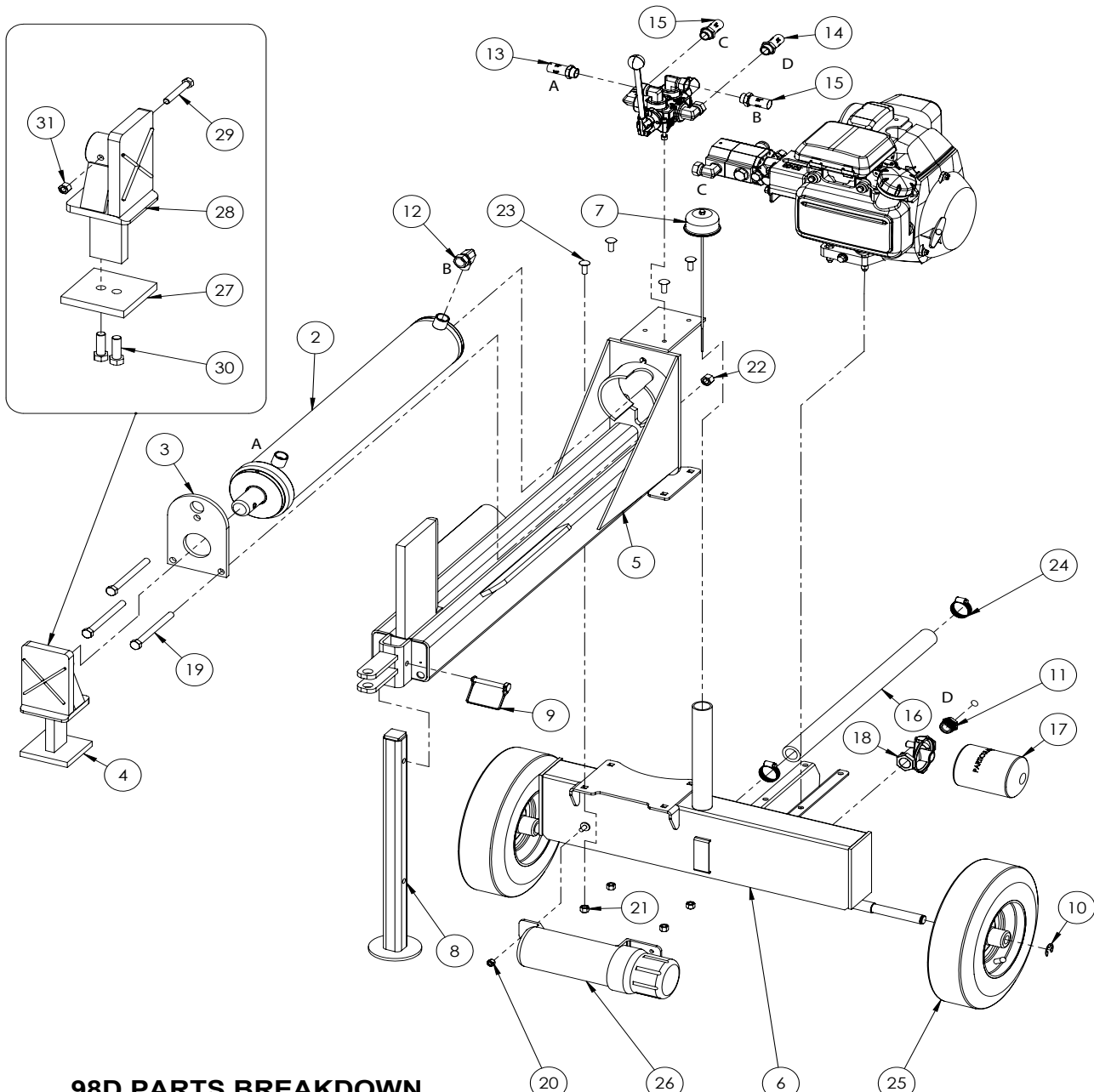
Tube Size OD	Nut Size Across Flats	Torque Value*		Recommended Turns To Tighten (After Finger Tightening)	
		(N.m)	(lb-ft)	(Flats)	(Turn)
3/16	7/16	8	6	1	1/6
1/4	9/16	12	9	1	1/6
5/16	5/8	16	12	1	1/6
3/8	11/16	24	18	1	1/6
1/2	7/8	46	34	1	1/6
5/8	1	62	46	1	1/6
3/4	1-1/4	102	75	3/4	1/8
7/8	1-3/8	122	90	3/4	1/8

The torque values shown are based on lubricated connections as in reassembly.



4" x 24" STROKE CYLINDER PARTS

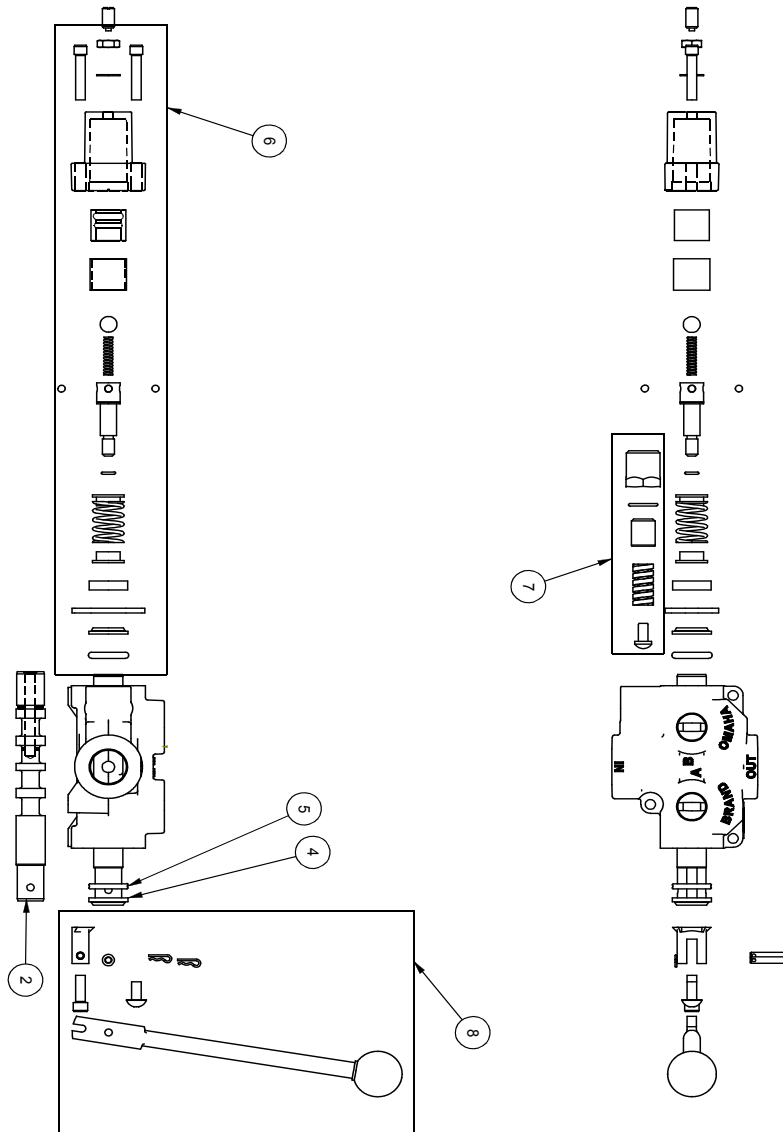
ITEM	PART NO.	Description	QTY.
1	2011C1012	Rod, 1-1/2 x 1	1
2	2011C1014	Barrel, 4"	1
3	G400-150SA	4" Bore x 1-1/2" Rod Gland	1
4	P100-400SA	4" Bore Piston	1
5	SLK-4015	Seal Kit, 4 x 1-1/2	1
6	Z72292G8	Hex Lock Nut 1NF Grade 8	1



98D PARTS BREAKDOWN

ITEM	Part No.	Description	QTY.
1	2011A103	Assembly, Valve with Fittings	1
2	2011C101	Cylinder, 4 x 24 x 1-1/2	1
3	2014S421	Plate, Cylinder Retaining (Bolt)	1
4	2051A101	Assembly, Push Block	1
5	2051W101	Cylinder Weldment, WX510	1
6	2051W108	Weldment, WX510 Base	1
7	Z55404	Vented Plug Dipstick x 9"	1
8	2051W106	Jack Stand, Front	1
9	Z12432	Snapper Pin 3/8 x 2-1/2	1
10	Z46203	External Retaining Ring, 3/4"	2
11	Z51221	Reducer FP x MP 1208	1
12	Z51331	Elbow 90 MP x FPX 0808	1
13	Z52301	1/2 Hose, MP08 x MP08 x 13"	1
14	Z52303	1/2 Hose, MP08 x MP08 x 33"	1
15	Z52305	1/2 Hose, MP08 x MP08 x 21"	2
16	Z52405	Suction Hose, 1" x 22"	1
17	Z55301	Oil Filter - 3/4 - Particulate	1
18	Z55302	Filter Cap, 3/4 x 3/4	1
19	Z71555	Hex Bolt 1/2NC x 5-1/2	3
20	Z72221	Hex Lock Nut 5/16NC	1
21	Z72231	Hex Lock Nut 3/8NC	4
22	Z72251	Hex Lock Nut 1/2NC	3
23	Z76231	Carriage Bolt 3/8NC x 1	4
24	Z79401	Hose Clamp, #16	2
25	Z91311	4.10-6 290# NHS Tire	2
26	Z96503	Manual Tube 3-1/2 Short	1

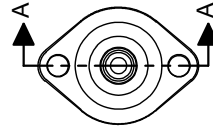
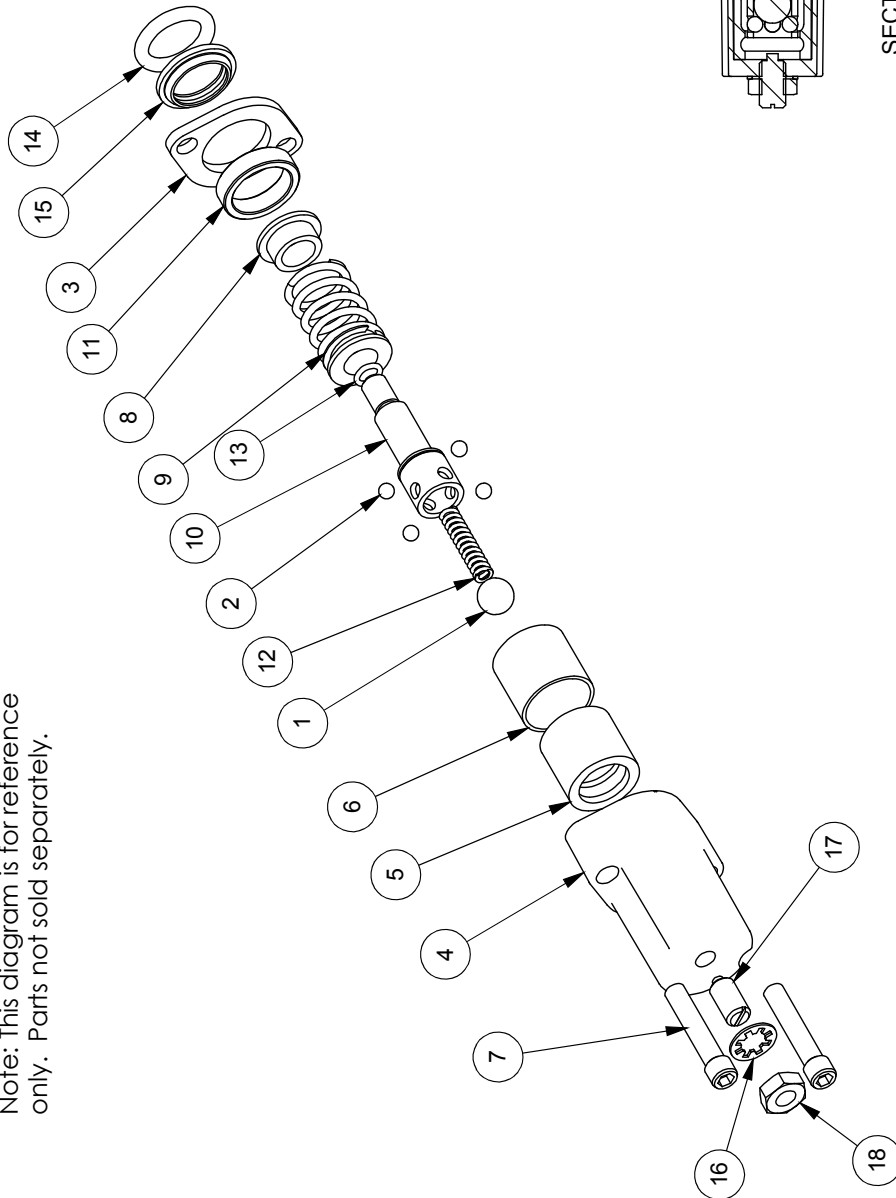
ITEM	PART NO.	Description	QTY.
27	2051S117	Cap, Push Block (Bolt)	1
28	2051W102	Push Block, Bolted	1
29	Z71325	Hex Bolt 3/8NC x 2-1/2	1
30	Z71576	Hex Bolt 1/2NF x 1-1/2	2
31	Z72231	Hex Lock Nut 3/8NC	1



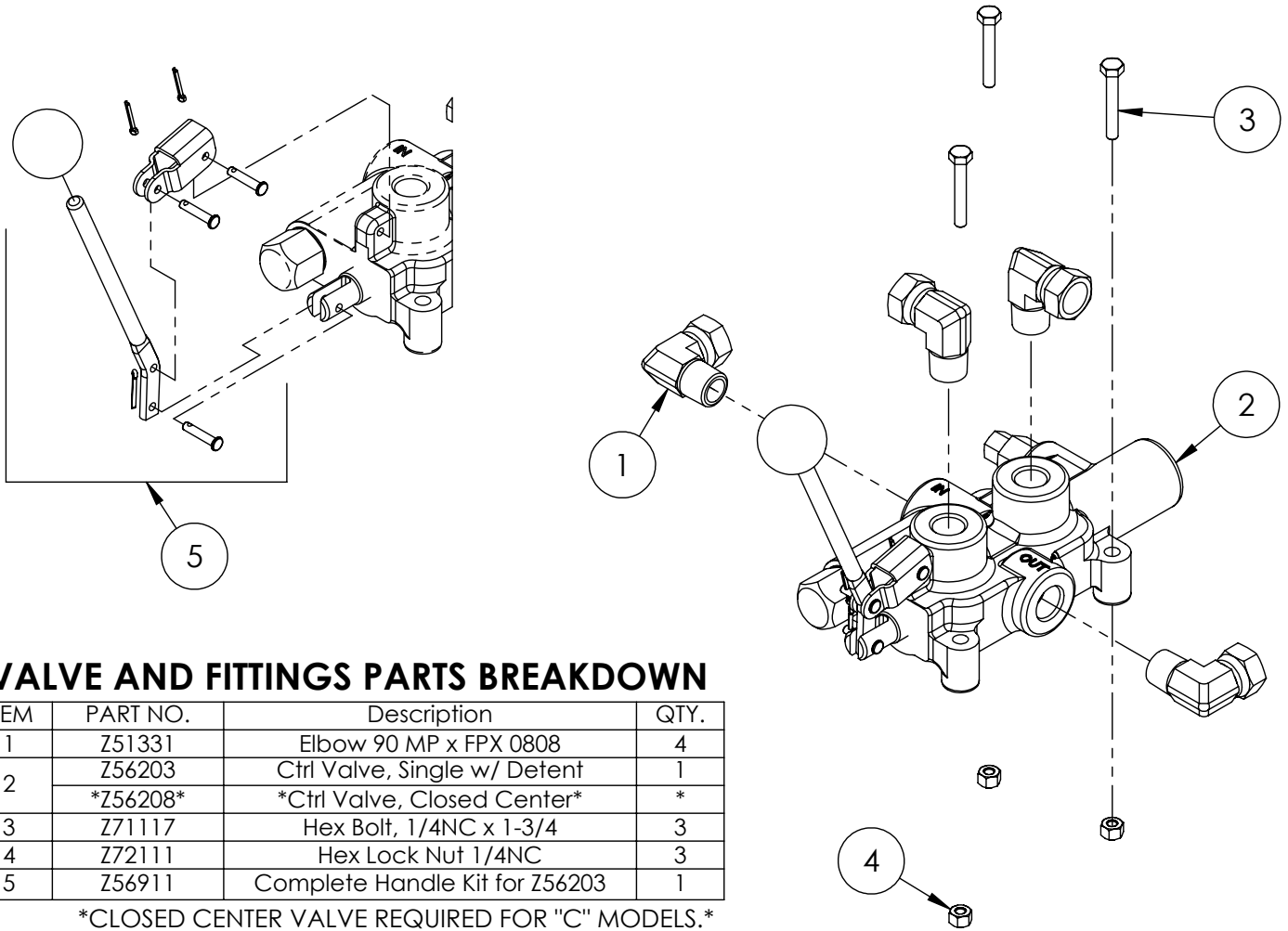
ITEM NO.	QTY.	PART NO.	DESCRIPTION
1	1	AOCAS1B	AO CASTING
2	1	LS30414J	SPOOL
3	1	P1740	NAME TAG
4	1	SF305	WIPER
5	1	SF304	QUAD RING
6	1	SUB-LS	SUB-LS
7	1	B5057	7/16 BALL
8	1	DC7804	3/16 BALL
9	1	SF306	RETAINER
10	1	SF477L	SH LS ENDCAP
11	1	XDC672	LS SLEEVE
12	1	SF483	SPACER
13	2	SF488	ALLEN SCREW
14	2	SF489	CENTER STOP
15	1	SF490	CENTERING SPRING
16	1	SF492	HOUSING
17	1	LS305	SPACER
18	1	DC7883	DETENT SPRING
19	1	SF498	O-RING, BLUE, METRIC
20	1	LS306	LS WIPER
21	1	SF502	5/16 LOCK WASHER
22	1	SF503	PLUNGER, SPRING
23	1	SF504	5/16 HEX JAM NUT
24	1	SUB-R	RELIEF
25	1	P1603	CAP NUT
26	1	SF322	O-RING 2-016
27	1	SF364A	ADJ SCREW
28	1	B505	SPRING
29	1	SF361A	POPPET
30	1	Z56915	HANDLE KIT
31	1	SF377	RETAINER
32	1	SF376	SEAL RETAINER
33	1	SF367A	CLEVIS
34	1	SF368	HANDLE
35	2	SF389	PIN
36	2	P1767	PIN CLIP
37	1	HP5	MACH. SCREW
38	1	SF311	KNOB
39	1	SF308	CAP SCREW
40	1	SF30314J	SPOOL
41	1	P1654	WARNING TAG

ITEM NO.	QTY.	PART NO.	DESCRIPTION
1	1	B5057	7/16 BALL
2	4	DC7604	3/16 BALL
3	1	SF306	RETAINER
4	1	SF477L	SH LS ENDCAP
5	1	SF480	SD SLEEVE
6	1	SF483	SPACER
7	2	SF486	ALLEN SCREW
8	2	SF489	CENTER STOP
9	1	SF490	CENTERING SPRING
10	1	SF492	HOUSING
11	1	SF315	SPACER
12	1	LS305	DETENT SPRING
13	1	DC7583	O-RING 3-902
14	1	SF496	METRIC O-RING
15	1	LS306	LS WIPER
16	1	SF502	5/16 LOCK WASHER
17	1	SF503	SPRING PLUNGER
18	1	SF504	5/16 HEX JAM NUT

Note: This diagram is for reference only. Parts not sold separately.



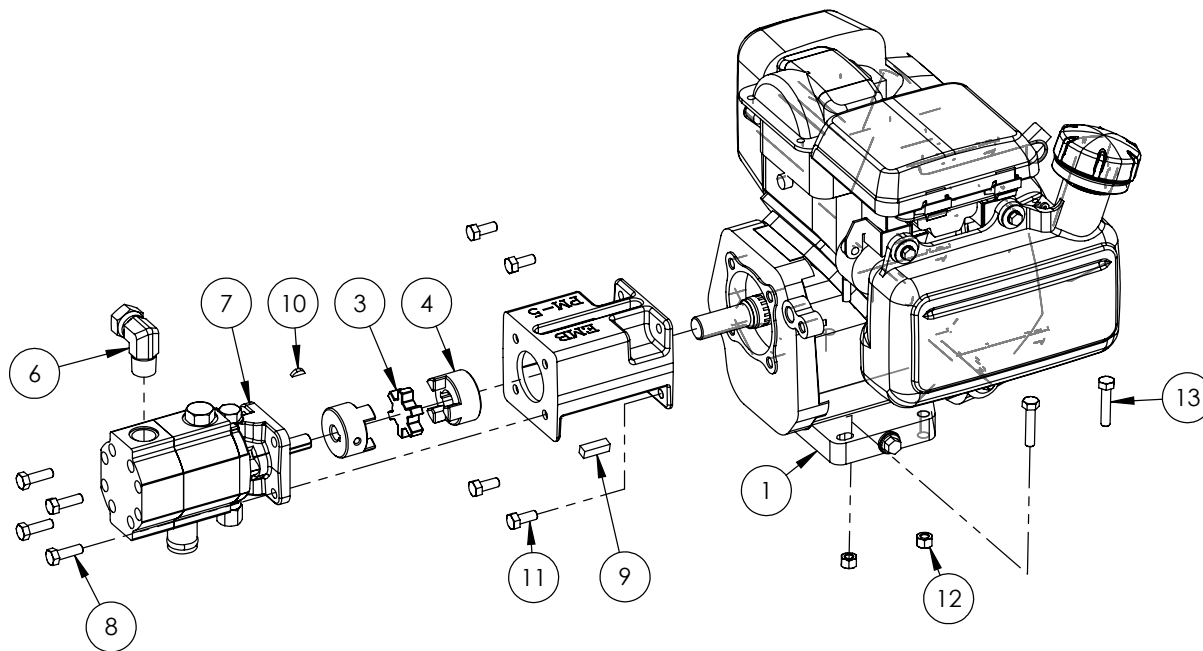
SECTION A-A



VALVE AND FITTINGS PARTS BREAKDOWN

ITEM	PART NO.	Description	QTY.
1	Z51331	Elbow 90 MP x FPX 0808	4
2	Z56203	Ctrl Valve, Single w/ Detent	1
	Z56208	*Ctrl Valve, Closed Center*	*
3	Z71117	Hex Bolt, 1/4NC x 1-3/4	3
4	Z72111	Hex Lock Nut 1/4NC	3
5	Z56911	Complete Handle Kit for Z56203	1

CLOSED CENTER VALVE REQUIRED FOR "C" MODELS.



2051A104 PARTS BREAKDOWN

ITEM	PART NO.	DESCRIPTION	QTY
1	Z47306	Honda GC160 Engine	1
2	Z53801	Pump Mounting, PM-5	1
3	Z46408	Coupler Spider L075	1
4	Z46406	Shaft Coupler L075 x 3/4	1
5	Z46410	Shaft Coupler L075 x 1/2	1
6	Z51331	Elbow 90 MP x FPX 0808	1
7	Z53204	Pump, 11gpm Two-Stage	1
8	Z71210	Hex Bolt 5/16NC x 1	4
9	Z46542	Key 5/16 x 5/16 x 1	1
10	Z46592	Woodruff Key, 1/8 x 1/2	1
11	Z71273	Hex Bolt, 5/16NF x 3/4	4
12	Z72221	Hex Lock Nut 5/16NC	4
13	Z71215	Hex Bolt, 5/16NC x 1-1/2	4

