

Surge-MASTER

SM6000/7000LHA Generator Parts Manual



Foreword

EMB Mfg. has prepared this parts manual to assist customers in ordering quality OEM replacement parts.

Proper and regular service and replacing old, worn or broken parts with the correct Wallenstein parts are essential to prolonging the life of your Wallenstein product. Please refer to this manual before ordering any replacement parts.

All information contained in this parts manual is based on the latest product specification available at the time of printing this manual. If your product differs from the specifications contained within this manual contact EMB Mfg. for information.

EMB reserves the right to alter specifications on their products at any time.

Reproduction of this parts manual of any kind is prohibited without prior written permission from EMB Mfg.

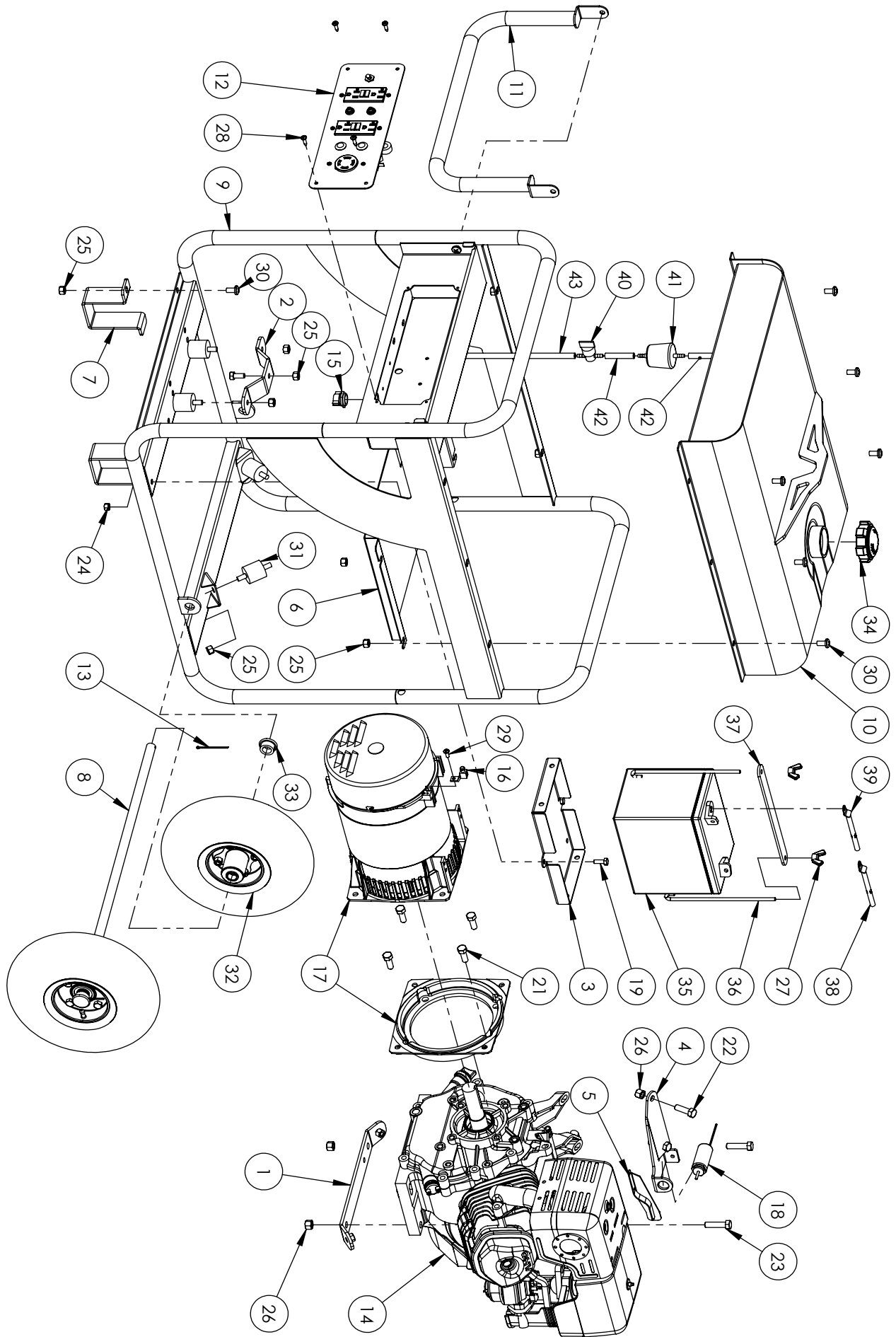
Note: Log splitters with factory installed light kits will have a VIN number included. The last six numbers of this VIN number are the splitters serial number

Example: 2E9US1112BSXXXXXX

Serial Number

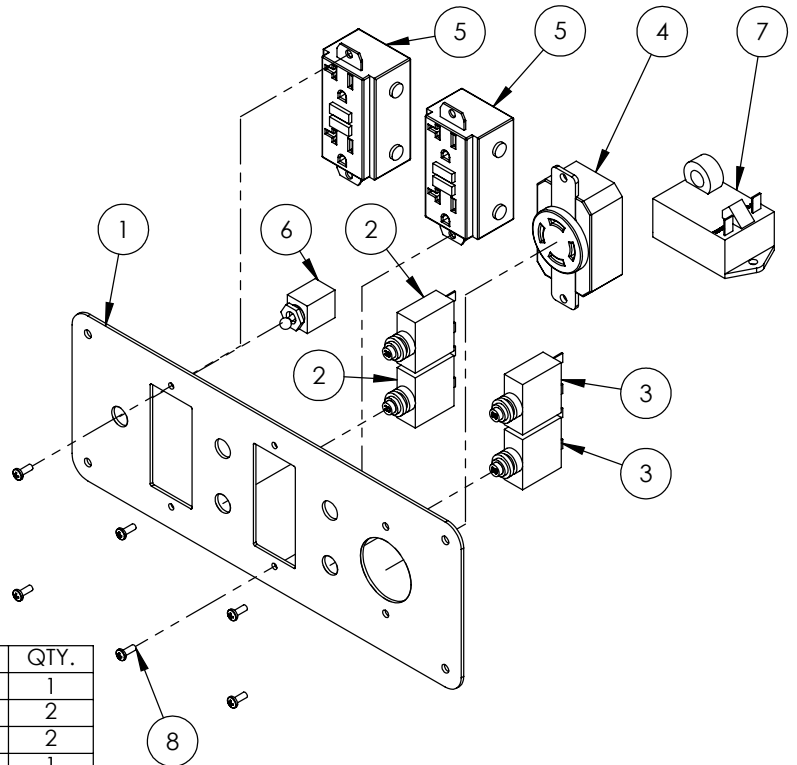
Table of Contents

Main Parts	4
Panel	6
Alternator	7



SURGEMASTER RENTAL / CONSTRUCTION SERIES PARTS BREAKDOWN

ITEM	SM5000LHAE	SM6000LHAE	SM7000LHAE	SM5000LHA	SM6000LHA	Description	QTY.
1			4014L405			Engine Mount Plate	1
2			4014L406			1-3/16" Offset Gen Plate	1
3		4015L504		-		Tray, Battery	1
4			4018L502			Solenoid Bracket	1
5	4018L503		4019L101	4018L503	4019L101	Solenoid Push Plate	1
6			4062L107			Shield, Firewall	1
7			4062L108			Leg, SM Frame	2
8			4062S105			Axle, Wheel Kit	1
9			4062W101			Main Frame, SM HD/RC Style	1
10			4062W105			Fuel Tank, SM HD/RC Style	1
11			4062W107			Lift Handle	1
12	4063A105		4063A305	4063A105	4063A305	Assembly, SM RC Panel	1
13			Z12302			Cotter Pin 3/32 X 2	2
14	Z47138	-	-	Z47137	-	Honda 9hp Engine	1
	-	Z47143	-	-	Z47142	Honda 11hp Engine	
	-	-	Z47148	-	-	Honda 13hp Engine	
15			Z62261			Box Connector, 3/8	1
16			Z62711			Grounding Terminal, 6-14	1
17	Z65411	-	-	Z65411	-	Alternator, 4.9 kVA	1
	-	Z65405	-	-	Z65405	Alternator, 6.0 kVA	
	-	-	Z65406	-	-	Alternator, 6.8 kVA	
18			Z65601			Solenoid, 0.135	1
19		Z71107		-		Hex Bolt 1/4NC x 3/4	2
20			Z71207			Hex Bolt 5/16NC x 3/4	1
21			Z71310			Hex Bolt 3/8NC x 1	4
22			Z71312			Hex Bolt 3/8NC x 1-1/4	2
23	Z71315	-	-	Z71315	-	Hex Bolt 3/8NC x 1-1/2	2
	-		Z71317	-	Z71317	Hex Bolt 3/8NC x 1-3/4	
24		Z72111		-		Hex Lock Nut 1/4NC	2
25			Z72221			Hex Lock Nut 5/16NC	17
26			Z72231			Hex Lock Nut 3/8NC	4
27		Z72921		-		Wing Nut 1/4NF	2
28			Z76712			Self-tapping Screw #10	4
29			Z78303			Machine Screw #10NF x 1/2	1
30			Z78306			Machine Screw, 5/16NC x 5/8	10
31			Z79931			Rubber Mount	4
32			Z91307			NHS Tire 4.10-3.50-4 LRB	2
33			Z91902			Cap, 5/8 Axle	2
34			Z93103			Fuel Cap	1
35		Z93201		-		250 CCA Battery	1
36		Z93202		-		J-Hook 1/4 x 7	2
37		Z93207		-		Hold-Down Strap, 1 x 8-1/2	1
38		Z93208		-		Battery Cable, Neg 20"	1
39		Z93211		-		Battery Cable, Pos 32"	1
40			Z93301			Fuel Shut-off, 1/4"	1
41			Z93302			Fuel Filter, In-Line 1/4" Large	1
42			Z93303			Fuel Line, 1/4" x 2"	2
43			Z93304			Fuel Line, 1/4" x 12"	1

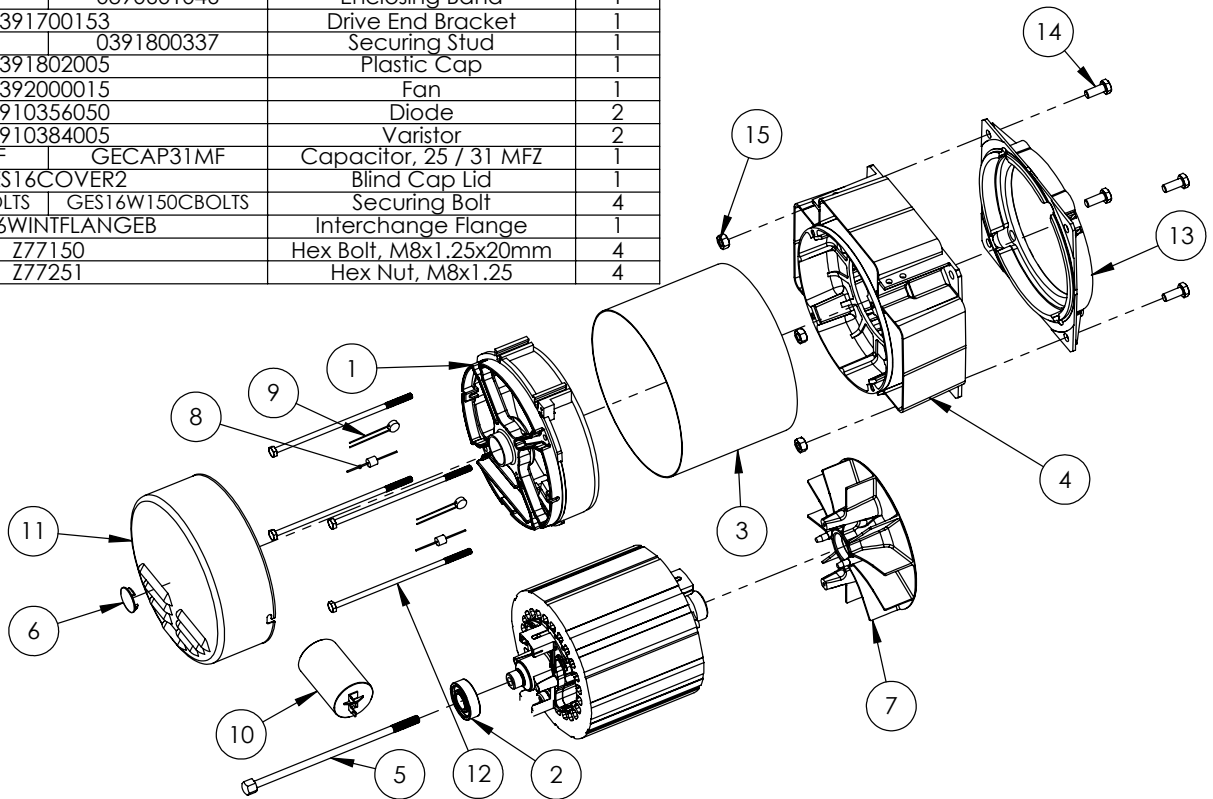


4063A305 SM6/7000LHA/E ELECTRONIC PANEL PARTS

ITEM	PART NO.	Description	QTY.
1	4063L308	Panel, SM Auto-Idle	1
2	Z62612	Popout Breaker, 20A	2
3	Z62614	Popout Breaker, 30A	2
4	Z63403	Recp., 30A 125/250V L14-30	1
5	Z63408	Recp., 20A 125V GFCI 5-20R	2
6	Z66106	Toggle Switch	1
7	Z66202	Control, Auto-Idle	1
8	Z78304	Machine Screw, #6NC x 3/8	6

Z65405 6 kVA / Z65406 6.8 kVA ALTERNATOR PARTS BREAKDOWN

ITEM	Z65405	Z65406	Description	QTY.
1	0390302209		Non Drive End Bracket	1
2	0390302521		Rear Bearing	1
3	0390601043	0390601046	Enclosing Band	1
4	0391700153		Drive End Bracket	1
5	0391800323	0391800337	Securing Stud	1
6	0391802005		Plastic Cap	1
7	0392000015		Fan	1
8	9910356050		Diode	2
9	9910384005		Varistor	2
10	GECAP25MF	GECAP31MF	Capacitor, 25 / 31 MFZ	1
11	GES16COVER2		Blind Cap Lid	1
12	GES16W130CBOLTS	GES16W150CBOLTS	Securing Bolt	4
13	GES16WINTFLANGEB		Interchange Flange	1
14	Z77150		Hex Bolt, M8x1.25x20mm	4
15	Z77251		Hex Nut, M8x1.25	4





Surge-Master Products Manufactured by:

EMB MFG Inc.

4144 Boomer Line
St. Clements, Ontario
Canada N0B 2M0
Phone: 1-877-695-9283
Fax: 519-699-4146
www.embmfg.com